

8

7

6

5

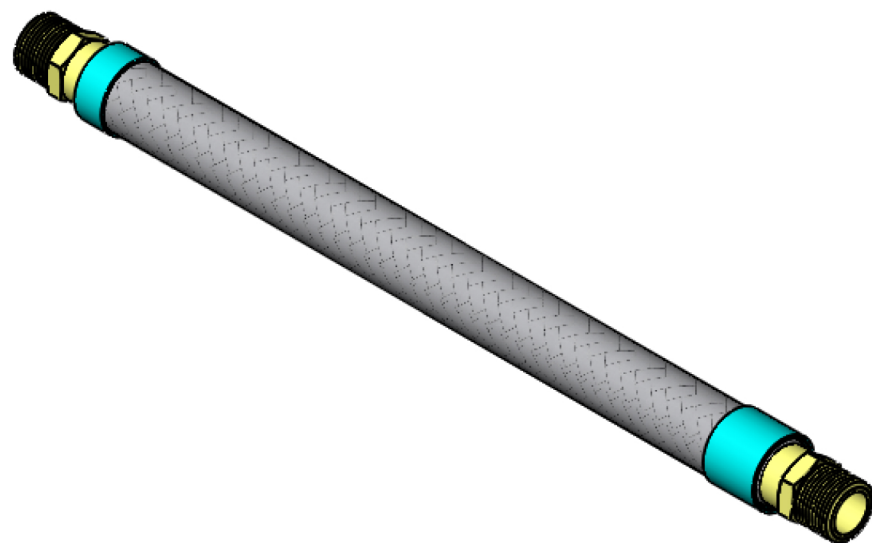
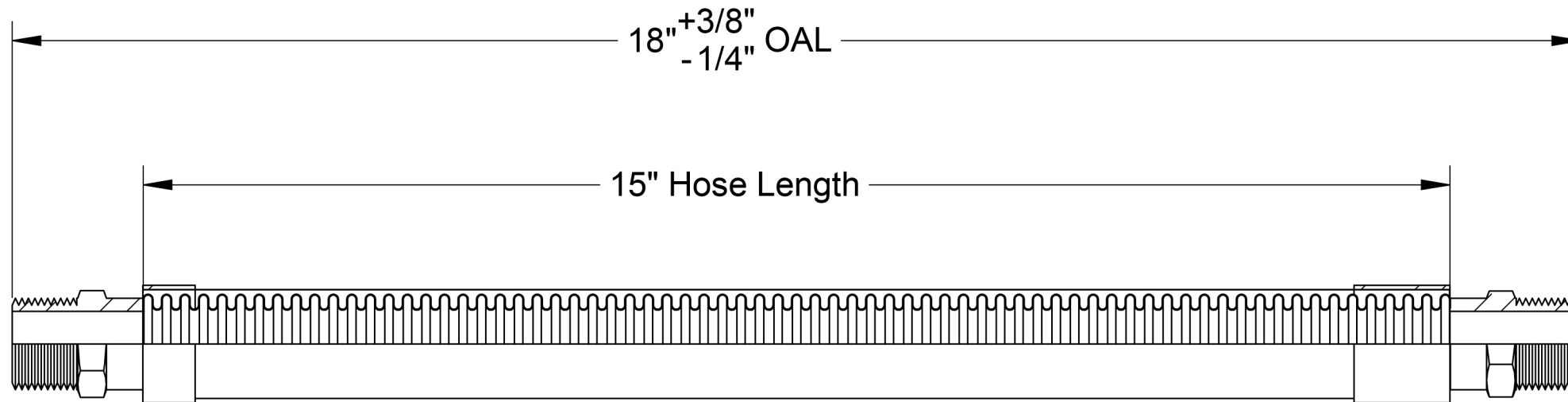
4

3

2

1

REVISIONS			
REV.	DESCRIPTION	DATE	APPROVED



ITEM #	QTY.	PART NUMBER	DESCRIPTION	MATERIAL	WEIGHT
1	1	HOSE	300 Series Stainless HYDROFORMED Corrugated Hose	Stainless Steel	0.29
2	1	BRAID	300 Series Stainless Steel	Stainless Steel	0.03
3	1	BRAID COLLAR	0.05" Thick	Stainless Steel	0.03
4	1	COLLAR 2	0.05" Thick	Stainless Steel	0.06
5	2	0.75" MALE	0.75" Male, 3/4"x14" Thread, 1.06" Hex	Stainless Steel	0.16

	HOSE MASTER Inc. 1233 East 222nd Street • Cleveland, Ohio 44117 (800) 221-2319 • Fax: (216) 481-7557 • www.hosemaster.com Locations: Cleveland • Houston		Registered to: ISO 9001 : 2000

Projection:	Customer: Hose Master Inc.	Prepared By: kannk
	Reference: Fire-Shield - 0.75" Male x 0.75" Male x 18" OAL	CALC. WEIGHT: 1 lbs. Date: 9/24/2009

Description: **0.75" ID x 18" OAL 300 Series Stainless HYDROFORMED Corrugated Hose covered by 300 Series Stainless Braid. UL Approved 0.75" Male Connectors**

Drawing #:	FSMM0075x18	Rev.:	-	SHEET 1 OF 1
------------	--------------------	-------	---	--------------



8

7

6

5

4

3

2

1